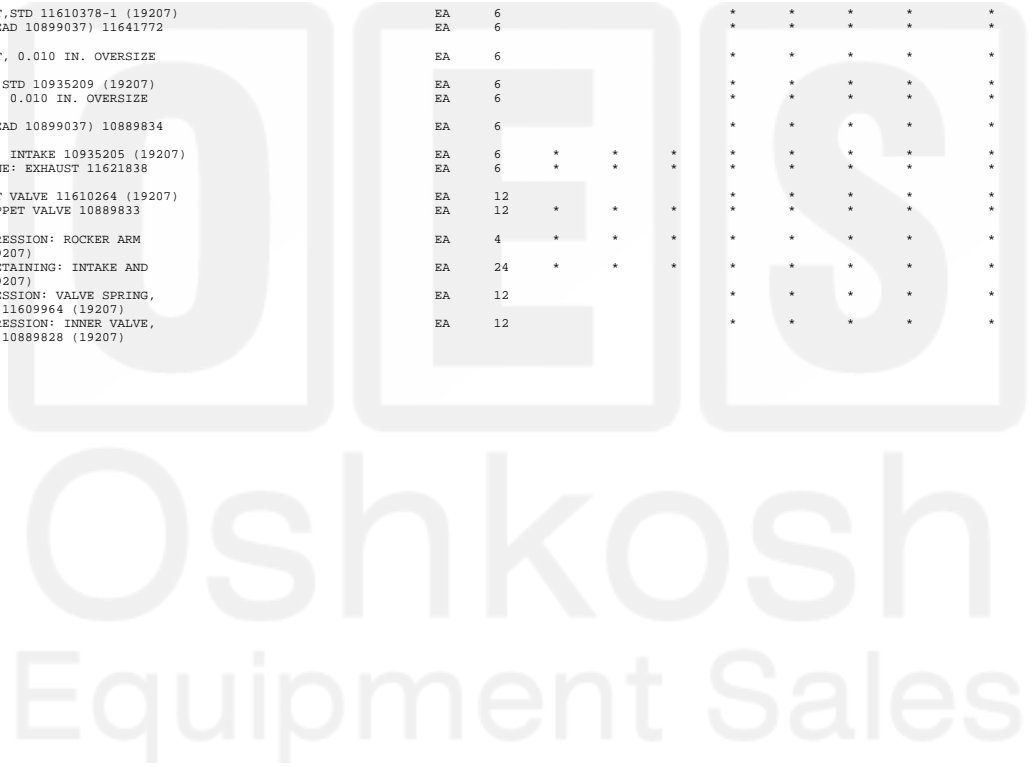


Current part is item (3) on diagram. Available at [www.oshkoshequipment.com](http://www.oshkoshequipment.com)

(1) SMR Code	(2) Federal Stock Number	DESCRIPTION	UNIT of meas	(4) Qty in Unit	30-day DS maint allowance			30-day GS maint allowance			1-yr alw per 100 equip cnt- gcy	Depot maint alw per 100 equip	Illustration	
					(a) 1-20	(b) 21-50	(c) 51-100	(a) 1-20	(b) 21-50	(c) 51-100			(a) Figure No.	(b) Item No.
		Reference Number & Mfr. Code												
PAFZZ	2815-403-0934	COVER, ACCESS: TAPPET CHAMBER 10889941 (19207)	EA	1	*	*	*	*	*	*	*	*	6	32
PAFZZ	5330-056-0194	GASKET: TAPPET COVER MTG 10889940 (19207)	EA	1	*	*	*	*	*	*	*	*	6	33
PAHZZ	5340-054-1417	PLUG, EXPANSION: REAR CAMSHAFT BEARING 541417 (21450)	EA	1	*	*	*	*	*	*	*	*	6	34
PAFZZ	5310-081-4219	WASHER, FLAT: COVERS MTG MS27183-12 (96906)	EA	16	*	*	*	*	*	*	*	*	7	1
PAFZZ	5306-081-9812	BOLT, SELF-LOCKING: COVERS MTG 10912494 (19207)	EA	14	*	*	*	*	*	*	*	*	7	2
PAFZZ	2815-937-7835	COVER ASSEMBLY,ROCKER ARM: 10951263 (19207)	EA	1	*	*	*	*	*	*	*	*	7	3
XAFZZ		COVER: CYLINDER HEAD 10951263-1 (19207)	EA	1	*	*	*	*	*	*	*	*	7	4
PBOZZ	2815-179-3601	BRACKET, OIL FILLER: 10896326 (19207)	EA	2	*	*	*	*	*	*	*	*	7	5
PAFZZ	2815-933-9519	COVER ASSEMBLY, CYLINDER HEAD: FRONT 10951262 (19207)	EA	1	*	*	*	*	*	*	*	*	7	6
XAFZZ		COVER: CYLINDER HEAD 10951262-1 (19207)	EA	1	*	*	*	*	*	*	*	*	7	7
PAHZZ	2815-808-7374	GUIDE,ENGINE POPPET VALVE: 11610335 (19207)	EA	12	*	*	*	*	*	*	*	*	7	8
PAFZZ	5307-904-5675	STUD, PLAIN: CYLINDER HEAD COVER MTG 10899073-5 (19207)	EA	2	*	*	*	*	*	*	*	*	7	9
PAHZZ		SEAT,VALVE: HEXHAUST,STD 11610378-1 (19207)	EA	6	*	*	*	*	*	*	*	*	7	10
PAHZZ	2815-808-7373	SEAT, VALVE: (U/W HEAD 10899037) 11641772 (19207)	EA	6	*	*	*	*	*	*	*	*	7	10
PAHZZ	2815-492-8127	SEAT, VALVE: EXHAUST, 0.010 IN. OVERSIZE 11610378-2 (19207)	EA	6	*	*	*	*	*	*	*	*	7	10
PAHZZ	2815-930-5967	SEAT, VALVE: INTAKE,STD 10935209 (19207)	EA	6	*	*	*	*	*	*	*	*	7	11
PAHZZ	2815-930-8761	SEAT, VALVE: INTAKE, 0.010 IN. OVERSIZE 10935209-1 (19207)	EA	6	*	*	*	*	*	*	*	*	7	11
PAHZZ	2815-930-5968	SEAT, VALVE: (U/W HEAD 10899037) 10889834 (19207)	EA	6	*	*	*	*	*	*	*	*	7	11
PAFZZ	2815-111-5158	VALVE,POPPET,ENGINE: INTAKE 10935205 (19207)	EA	6	*	*	*	*	*	*	*	*	7	12
PAFZZ	2815-808-7377	VALVE, POPPET, ENGINE: EXHAUST 11621838 (19207)	EA	6	*	*	*	*	*	*	*	*	7	13
PAHZZ	2815-782-1308	TAPPET,ENGINE POPPET VALVE 11610264 (19207)	EA	12	*	*	*	*	*	*	*	*	7	14
PAFZZ	2815-899-8336	PUSH ROD, ENGINE POPPET VALVE 10889833 (19207)	EA	12	*	*	*	*	*	*	*	*	7	15
PAFZZ	2815-882-8822	SPRING,HELICAL,COMPRESSION: ROCKER ARM THRUST 10912377 (19207)	EA	4	*	*	*	*	*	*	*	*	7	16
PAFZZ	2805-741-5300	LOCK,VALVE SPRING RETAINING: INTAKE AND EXHAUST 7415300 (19207)	EA	24	*	*	*	*	*	*	*	*	7	17
PAHZZ	2815-930-5436	SEAT, HELICAL COMPRESSION: VALVE SPRING, INTAKE AND EXHAUST 11609964 (19207)	EA	12	*	*	*	*	*	*	*	*	7	18
PAHZZ	2815-848-8398	SPRING,HELICAL,COMPRESSION: INNER VALVE, INTAKE AND EXHASUT 10889828 (19207)	EA	12	*	*	*	*	*	*	*	*	7	19



Current part is item (3) on diagram. Available at [www.oshkoshequipment.com](http://www.oshkoshequipment.com)

Current part is item (3) on diagram. Available at [www.oshkoshequipment.com](http://www.oshkoshequipment.com)

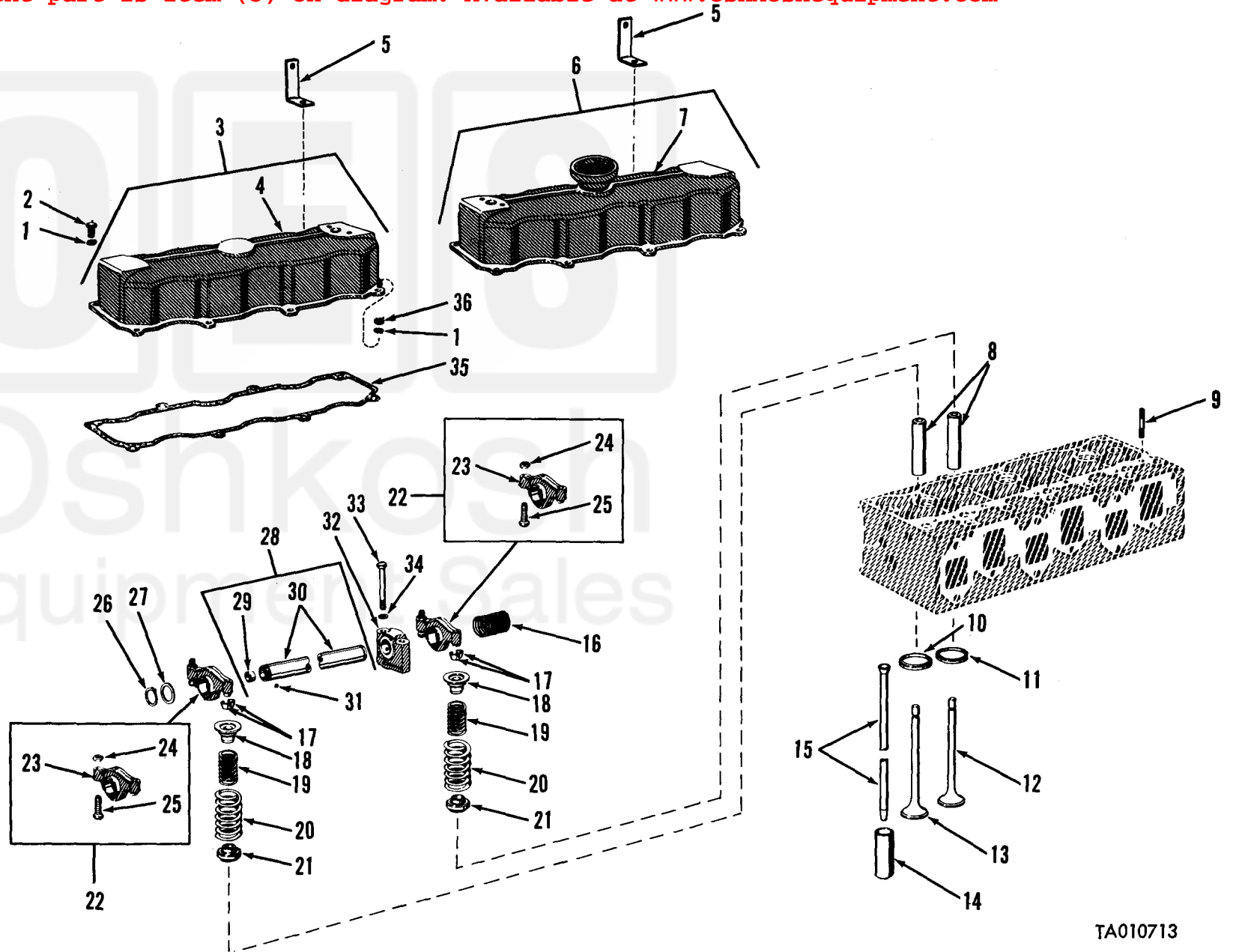


Figure 7. Cylinder Head Covers, Valves and Associated Parts.

Current part is item (3) on diagram. Available at [www.oshkoshequipment.com](http://www.oshkoshequipment.com)

TA010713